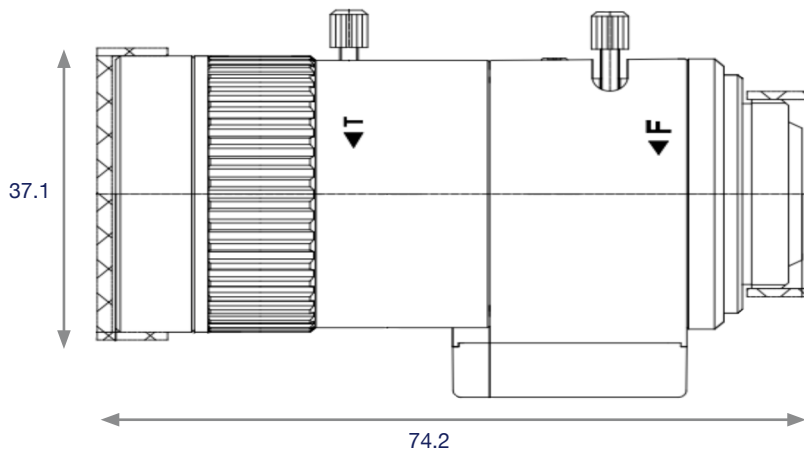


The GMP2L5100 is a 1/3" 2MP auto iris DC lens with a focal length of 5-100mm.



GMP2L5100

Dimensions (mm)



Specification

Model Number	GMP2L5100
Image Format	1/3"
Focal Length	5-100mm
F No.	F1.6
Back Focal Length	12.38mm
Resolution	2MP
Sensor Format	1/3"
Mount	CS
Operating Conditions	Temperature : -10°C ~ 50°C, Humidity : 30% - 70%
Dimensions	37.1 (D) x 74.2 (L) mm

Genie Access reserves the right to change specifications without notice. Please contact your representative to confirm current specifications.